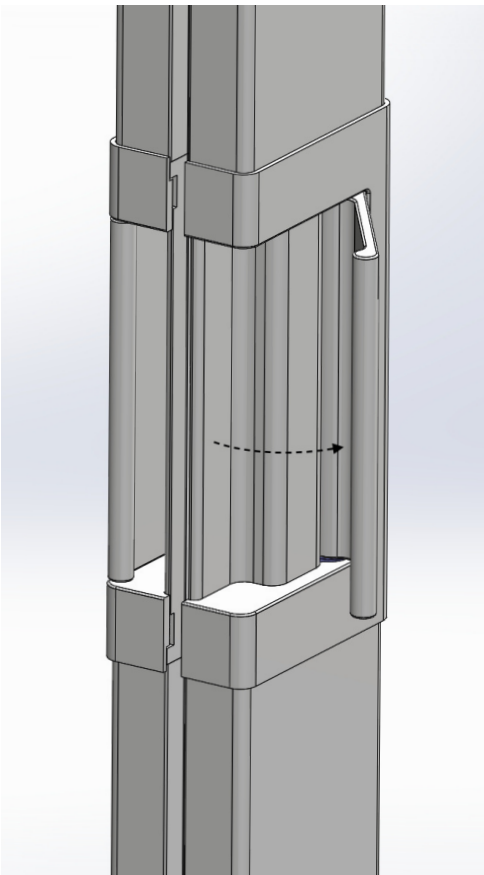


A View Towards Excellence



VISTA VIEW HORIZON

Our family just got bigger! VistaView Horizon sets the gold standard in retractable screens for large openings. A single housing can span a 20' opening while double units can screen areas 40' wide! This is the next innovation in screen technology. VistaView Horizon expands your opportunities to further embrace true open concept living.

DISTRIBUTED BY

 **PHANCY**
SCREENS

VISTA VIEW HORIZON

Key Features

- ★ 40' Wide with a Double Span
- ★ Brake System with Flush Handle
- ★ Lower Track is Under 1/2" Tall
- ★ No Visible Fasteners
- ★ Spring can be Easily Adjusted
- ★ Compact High Capacity 100mm Housing
- ★ Flat screen, with No Pleats



Finish Options



Black



White



Flush Hand Braking System

A Patented Flush Hand Braking System lets users slide 'n and stop their screen in every position. The innovative design reduces the space required for handle clearance and is very aesthetically pleasing.



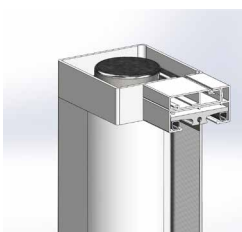
Low Profile Bottom Track

At less than 1/2" tall the lower track blends well into every application, eliminates obstructions to mobility and provides a high tolerance for deflection during installation, all with no visible fasteners.



Floating Top Track

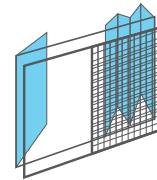
Our unique floating upper track is concealed by a integrated fascia. It's designed for simple installation and with no visible fasteners, it looks great on every door.



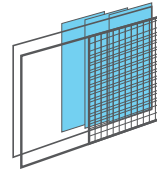
Easily Adjustable Spring Tension

A removable panel gives quick access to the screen tension spring, making adjustments a breeze.

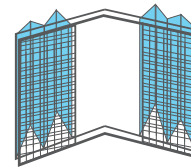
All Door Types - Interior and Exterior



Bifold Doors



Multi Sliding Doors



Corner Openings

