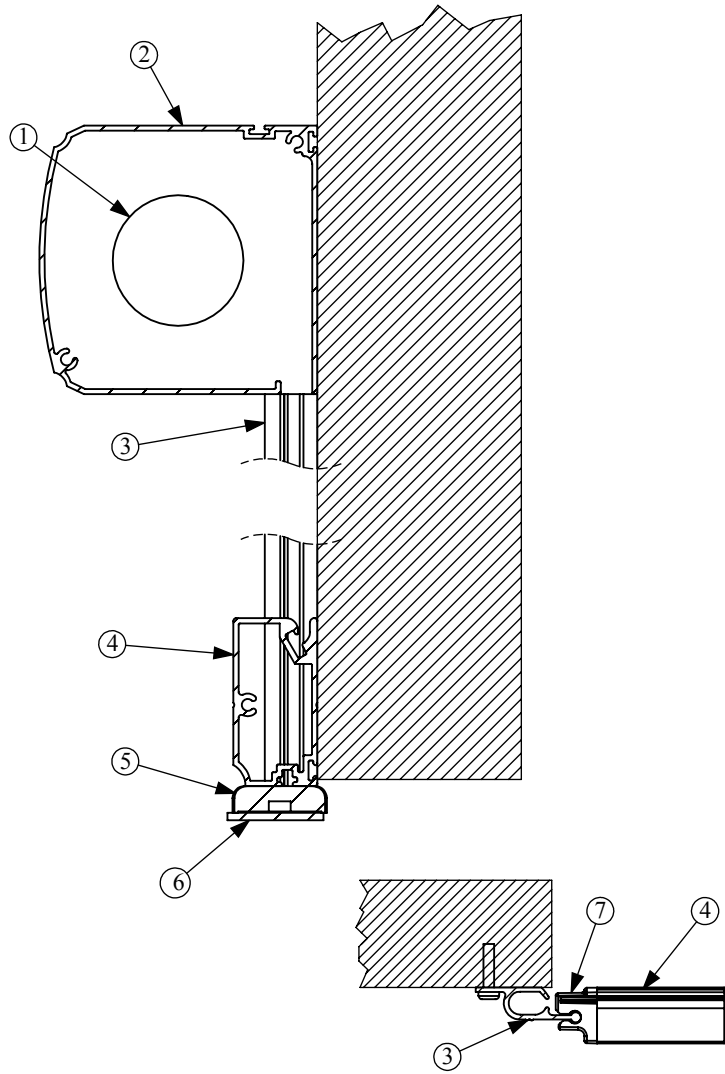
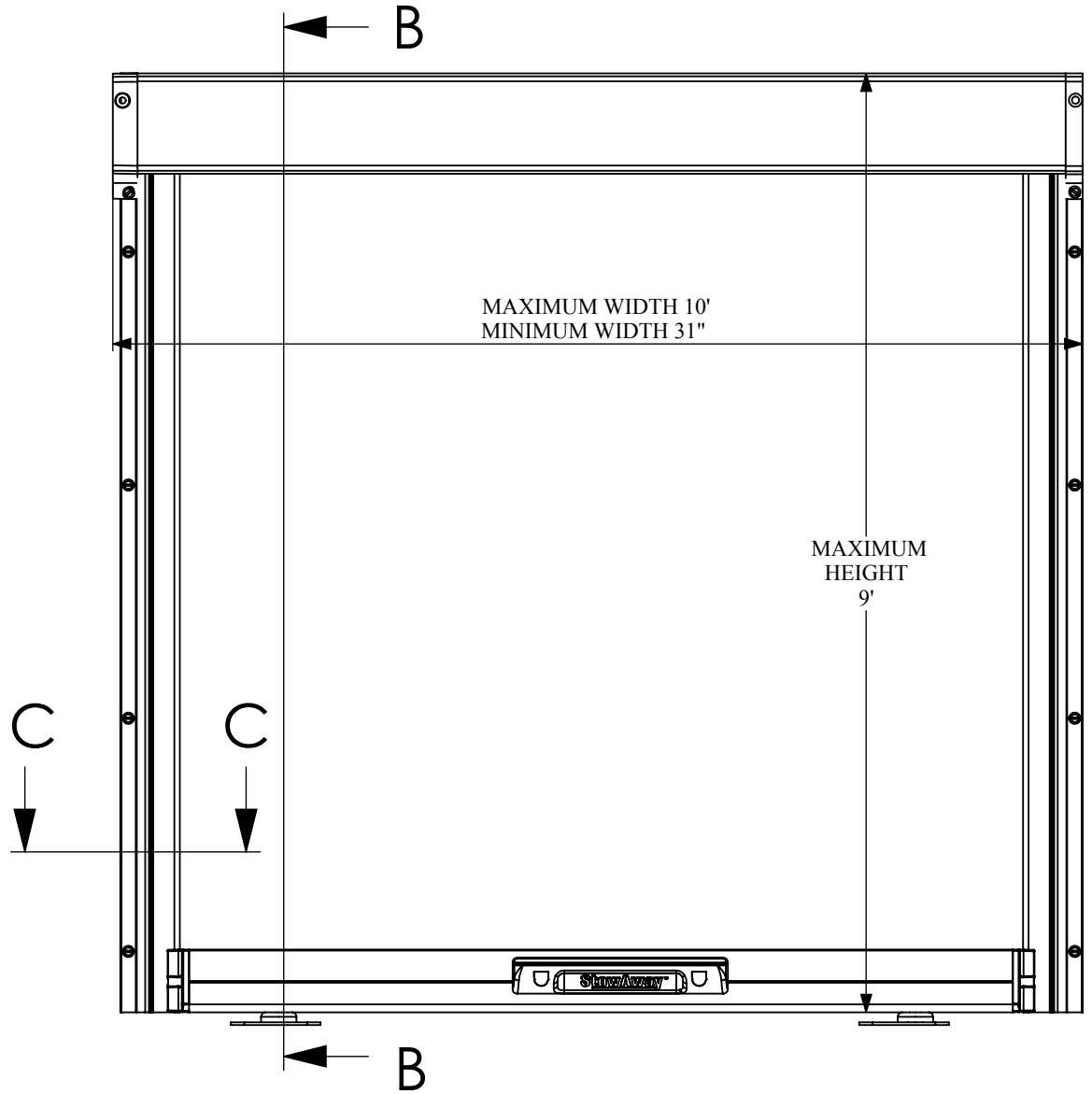


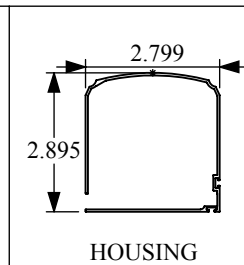
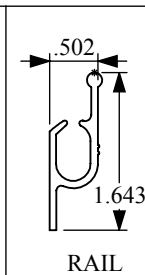
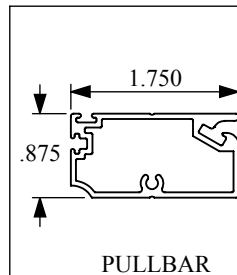
PANORAMALITE FLAT SURFACE MOUNT



SECTION C-C
SCALE 1 : 3



NO.	DESCRIPTION	QTY.
1	Roll Tube	1
2	Housing	1
3	Rail	1
4	Pullbar	1
5	Magnet	2
6	Strike Plate	2
7	Pullbar Cap	1



STOETT
INDUSTRIES

PANORAMALITE SURFACE MOUNT

SIZE A	DWG. NO.	REV.
SCALE:1:10	WEIGHT:	SHEET 1 OF 1