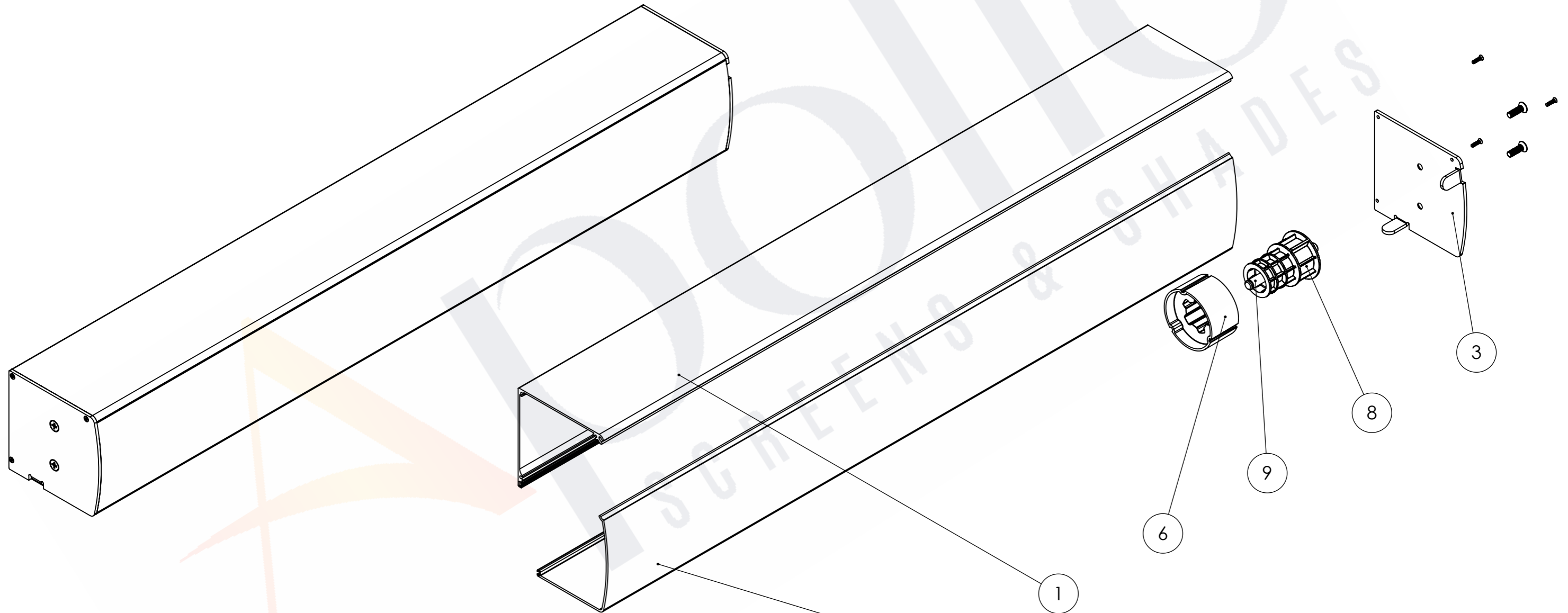
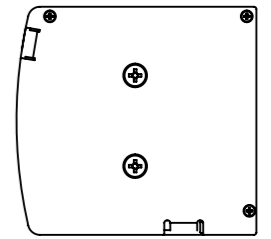
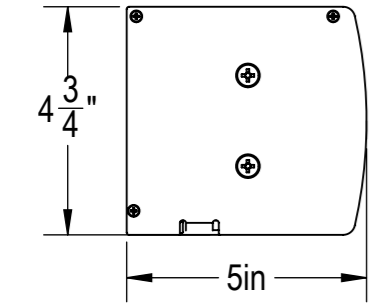


# Hood Assemble



ITEM NO.	PART NUMBER	QTY.
1	Aluminum Hood	1
2	Aluminum Hood Cover	1
3	Aluminum Hood Caps	1
4	Aluminum Hood Caps_R	1
5	Motor	1
6	Somfy Motor Drive	1
7	Somfy_Motor_Bracket	1
8	IDLER_V04	1
9	IDLER_ROD	1
10	DIN EN ISO 7046-1 - M3 x 12 - Z - 12S	6
11	DIN EN ISO 7046-1 - M6 x 20 - Z - 20S	4