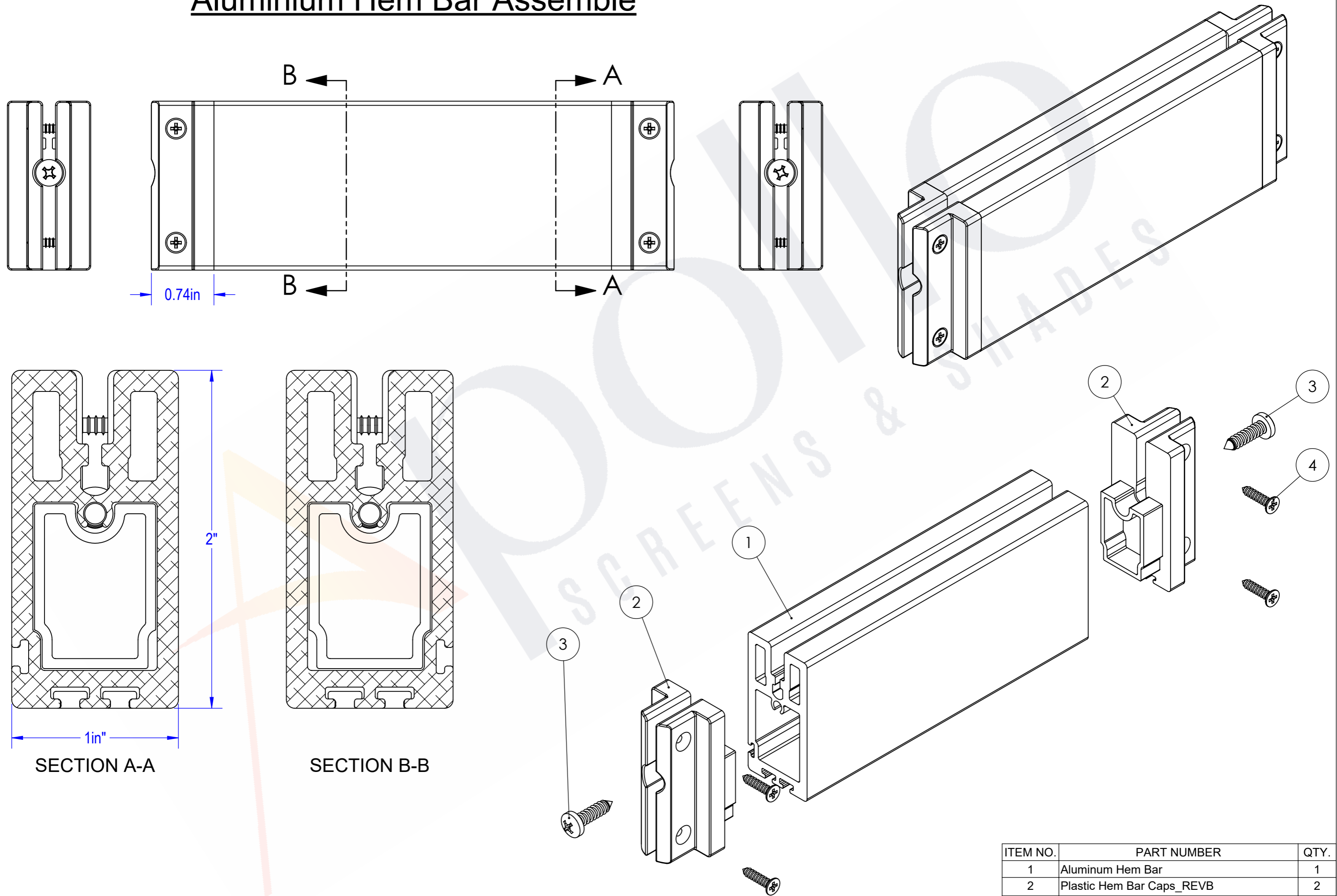


Aluminium Hem Bar Assemble



ITEM NO.	PART NUMBER	QTY.
1	Aluminum Hem Bar	1
2	Plastic Hem Bar Caps_REVB	2
3	Tapping screw DIN 7049-ST4.2x16-C-H-S	2
4	Tapping screw DIN 7982-ST2.9x13-C-H-S	4