



VistaView Retractable Screen





VistaView™

Perfect for Bi-fold and stacker doors or any large opening on your home or business. Best of all we don't use pleated mesh or cables! The only true retractable screen system for large openings. VistaView™ screen is manufactured using advanced heat welding technology providing superior strength, so the screen can withstand most accidental impacts.

Key Features & Benefits

- ★ Protection from Insects
- ★ Custom Made
- ★ Professionally Installed
- ★ Single Unit spans up to 11'
- ★ Double Unit spans up to 22'
- ★ Wind rated up to 300km/h
- ★ Handle Braking System
- ★ Secured Zippered Track



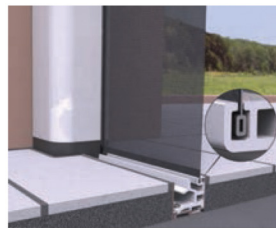
Applications

- ★ Bi-Fold Doors
- ★ Stacking Doors
- ★ Sliding Doors
- ★ French Doors
- ★ Porch Enclosures
- ★ Any Opening

Colors

- ★ White
- ★ Black
- ★ Anodized

Track Options - More Choices for installation



Recessed Track



Face Mount



Product Benefits



Secured Zippered Track

VistaView's Secured Zippered Track keeps the screen tight at all times, preventing blowouts.



Patented Braking Technology

An industry first, self locking brake allows you to stop the screen in any position along the track.



No more bugs!

You have a beautiful large opening door, the problem is all that space gives plenty of room for little critters to fly through. Finally you can screen it up and keep your home bug free!



Increased Ventilation

VistaView™ provides complete total top to bottom air ventilation through your door or window without having the irritation of unwanted pests, insects and debris in your home.



Appealing Design

The VistaView™ has been designed to look amazing while open or closed. You want a product that looks as great as your home does and we are more than happy to provide that.



Clear Vision

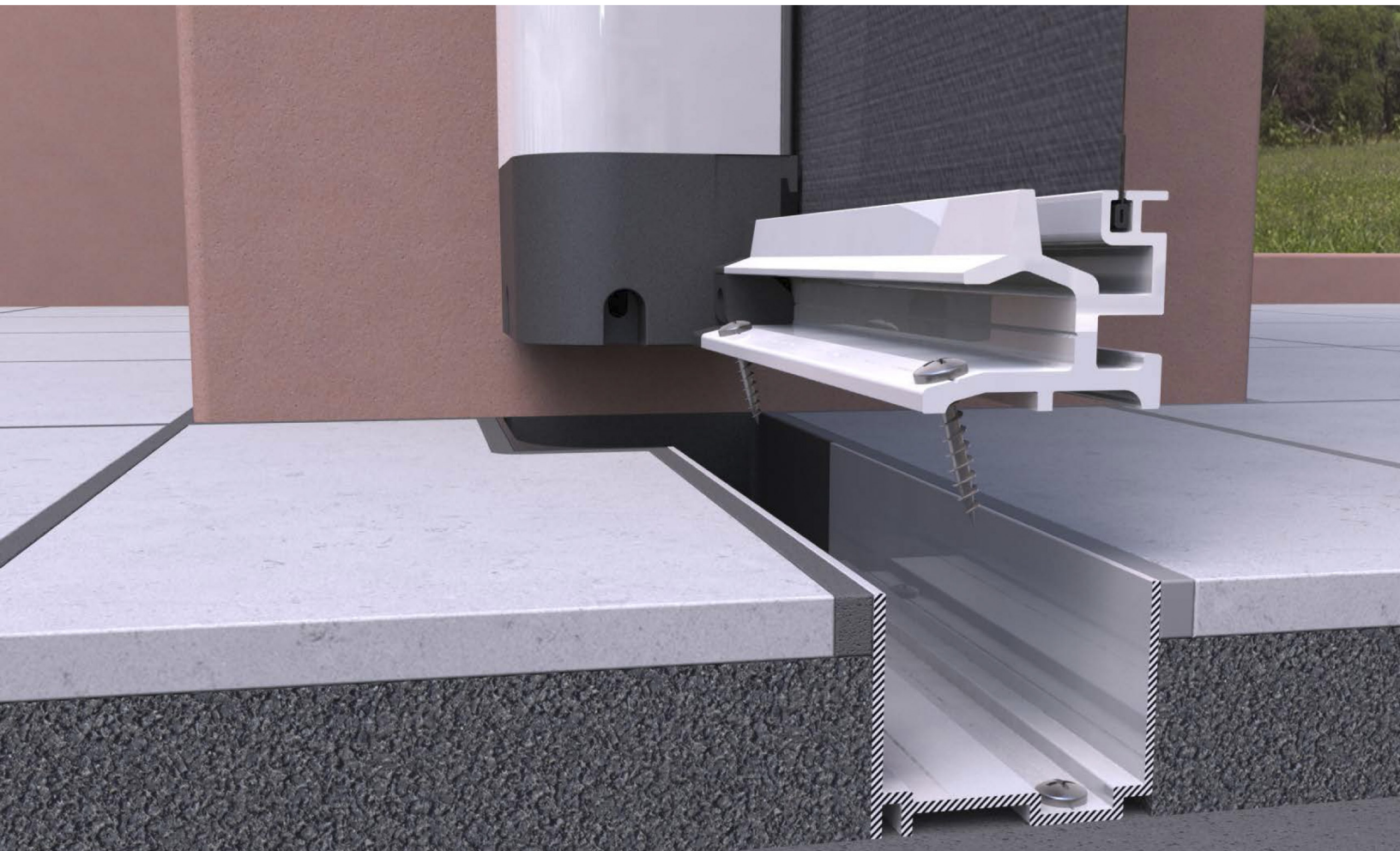
Unlike other pleated systems for large opening VistaView™ is a true retractable, meaning you can see clearly through the meshing.



**NO
PLEATS!
NO
CABLES!**

A TRUE RETRACTABLE SCREEN

VistaView™ has been engineered to be a remarkably simple solution to the biggest problem in the door industry. VistaView™ technology is based on the classic, proven, spring and roll tube method of retraction. We realized there was no reason to develop overly complicated systems of cables, or unsightly pleated mesh. Instead of reinventing the wheel, VistaView™ is built using the same technology that has been the industry standard for 20 years. In this regard VistaView™ is the only true retractable screen for large openings.



KEEPING IT ON TRACK

A SECURE ZIPPERED TRACK

VistaView™ uses a secure zippered track that keeps the screen tight and prevents blowouts. This screen to track retention gives VistaView™ a wind rating of 300 km/h.

For new homes and those under renovation a VistaView™ channel and recessed cup allows for the track to be easily recessed by builders to give a flush finish.



THE CLIFF- HANGER HOUSE


A PROJECT PROFILE

The Cliffhanger House in North Vancouver is designed by Kevin Vallely. The accomplished architect is also a renowned adventurer, so it's no shock he's designed a home that gets the adrenalin pumping. This unique home features a living space that dangles over the water. The home offers a stunning view from a stacking door that's over 15 feet wide and 10 feet tall. To ensure the such a wonderful view was never obstructed it was decided that VistaView™ was the perfect screen solution. The secure zippered track prevents blowouts, perfect for a homes on the water, let alone over them.



Designer Kevin Vallely

VistaView Specifications

Available Mesh		
	Standard	Pet Resistant
Description	Phifer Patio Mesh 18 x 14 The traditional choice for patio and pool enclosures. Designed for applications where extra strength is desired. Ideal for large openings.	Phifer Tuff Screen 17 x 10 Heavy duty, vinyl-coated polyester insect screening that is ideal for use in high traffic areas. Pet resistant and tear and puncture resistant. Tuff Screen is stronger than regular insect screening. Treated with Microban to prevent the growth of bacteria. 
Color	Charcoal Grey	Charcoal

Available Sizes	
Single Door	
Mesh	Size
Standard 18 x 14	96" Wide x Up to 120" Tall (8' x 10')
Standard 18 x 14	132" Wide x Up to 106" Tall (11' x 8'10")
Pet Mesh	108" Wide x Up to 118" Tall (9' x 9'10")
Double Door	
Standard 18 x 14	192" Wide x Up to 120" Tall (16' x 10')
Standard 18 x 14	264" Wide x Up to 106" Tall (22' x 8'10")
Pet Mesh	216" Wide x Up to 118" Tall (18' x 9'10")

Color Options



Anodized



White



Black

Track Options

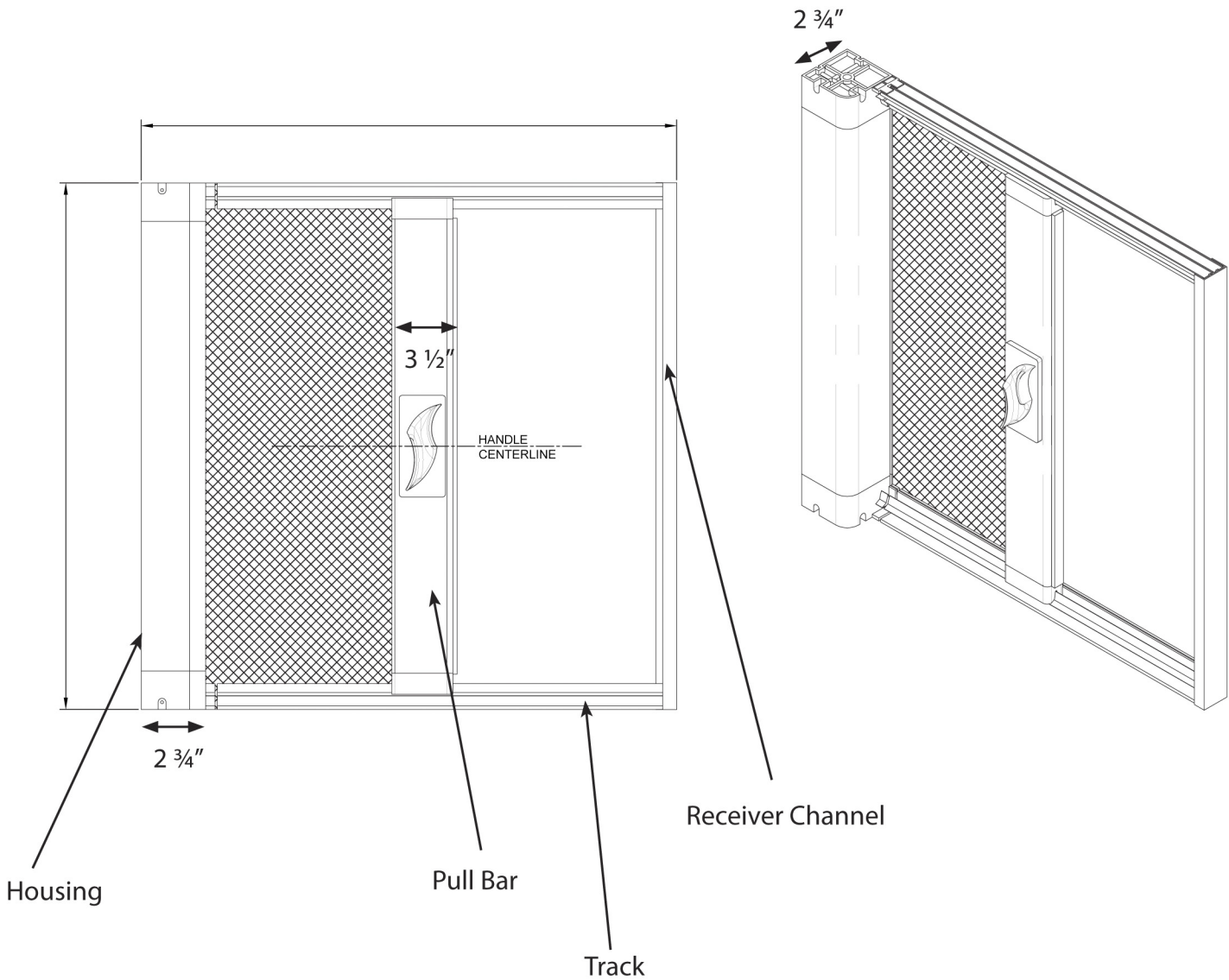


Recessed

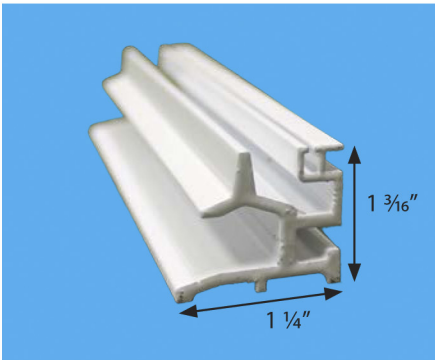


Face Mount

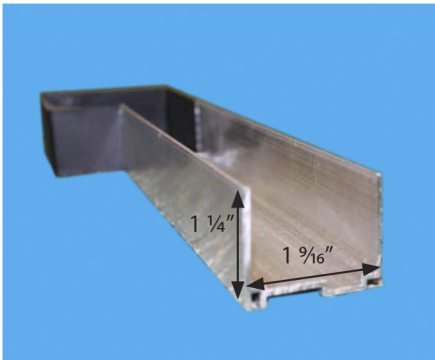
VistaView Details



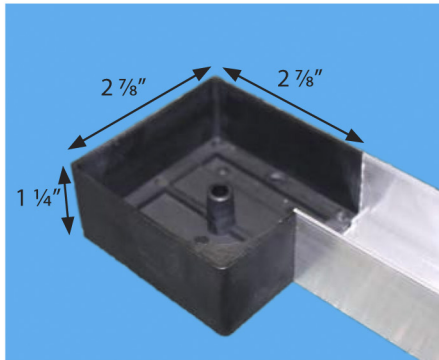
Track



Recessed Channel



Recessed Housing Cup



Warranty and Maintenance Guide

VistaView Retractable Screen

Revised Nov 2013



Warranty:

The manufacturer Offers a limited **5 year warranty** on all components, excluding screen mesh and hardware, to the original purchaser of the VistaView from the date of installation.

The manufacture offers a limited **1 year warranty** from the date of installation on hardware such as hand brake system. This warranty is non-transferable and will remain intact for the original purchaser provided the product was installed by an Authorized Dealer and/or factory trained installer and has not been moved or altered in any way.

The manufacturer warrants the components shall be free of defects in materials and workmanship. "Defects" are defined in this warranty as imperfections that impact on the utility of the retractable screen. Wrinkles in the mesh or puckering along its edges in itself does not constitute a defect.

Defective components will be replaced free of charge for up to one year from the date of installation. After one year, The manufacturer will provide replacement components at no charge, but a service installation charge will apply.

The Limited Warranty does not include components that have been damaged by misuse, abuse, unauthorized repair or modification of the screen; normal weathering, fading, scratching, airborne or applied corrosive contaminants, acts of God or other causes beyond the control of the manufacturer.

If a component is defective, please contact your local authorized Retractable Screen dealer for service. Please retain your invoice as proof of purchase. Proof of purchase is required when submitting a warranty claim.

Maintenance:

To obtain the best results and to maintain your screen in good working order the following tips and procedures should be observed.

1. Your new screen is NOT a heavy duty door. Correct operation and care is required to ensure years of trouble-free service.
2. To operate, rotate the plastic lever (this releases the brakes), slide screen to desired position and release.
3. Always operate screen from centre of handle.
4. Allow the spring to retract the screen - never push it back.
5. If possible use Dry Silicone into mesh slot in track to ensure the screens move freely. Do not spray where the brake is applied.
6. CLEANING: Track grooves must be cleaned regularly. Remove dust from grooves with brush . 7. To clean mesh use a soft hand brush.
8. DO NOT allow rubbish to build up in tracks - vacuum/clean as necessary.
9. NOTE: Re tractable screens are not storm proof. Strong, gusty winds may damage mesh.

WARNING

Spray Silicone into the opening that the mesh slides in.

Do not spray silicone where the brake is applied.

