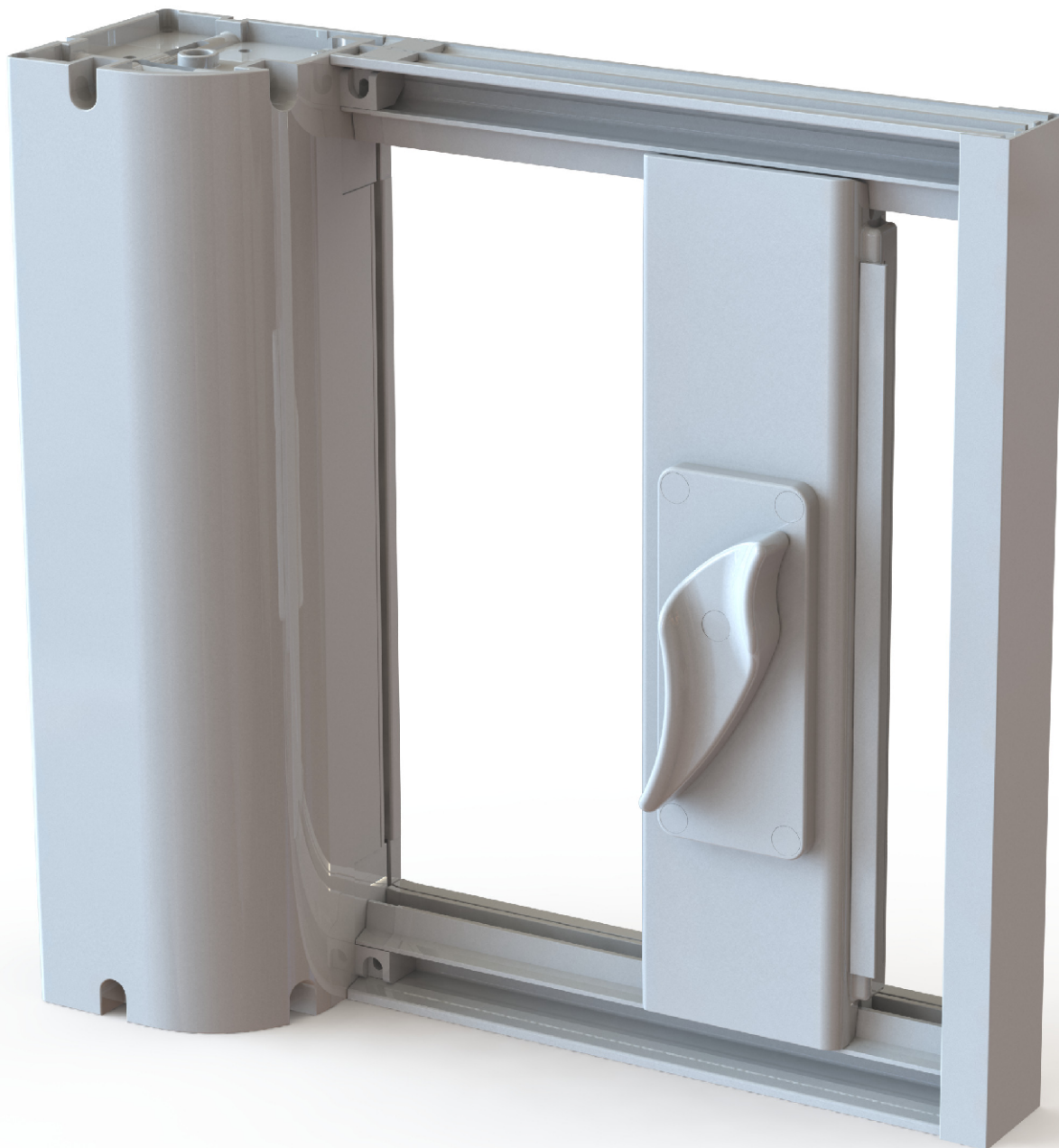
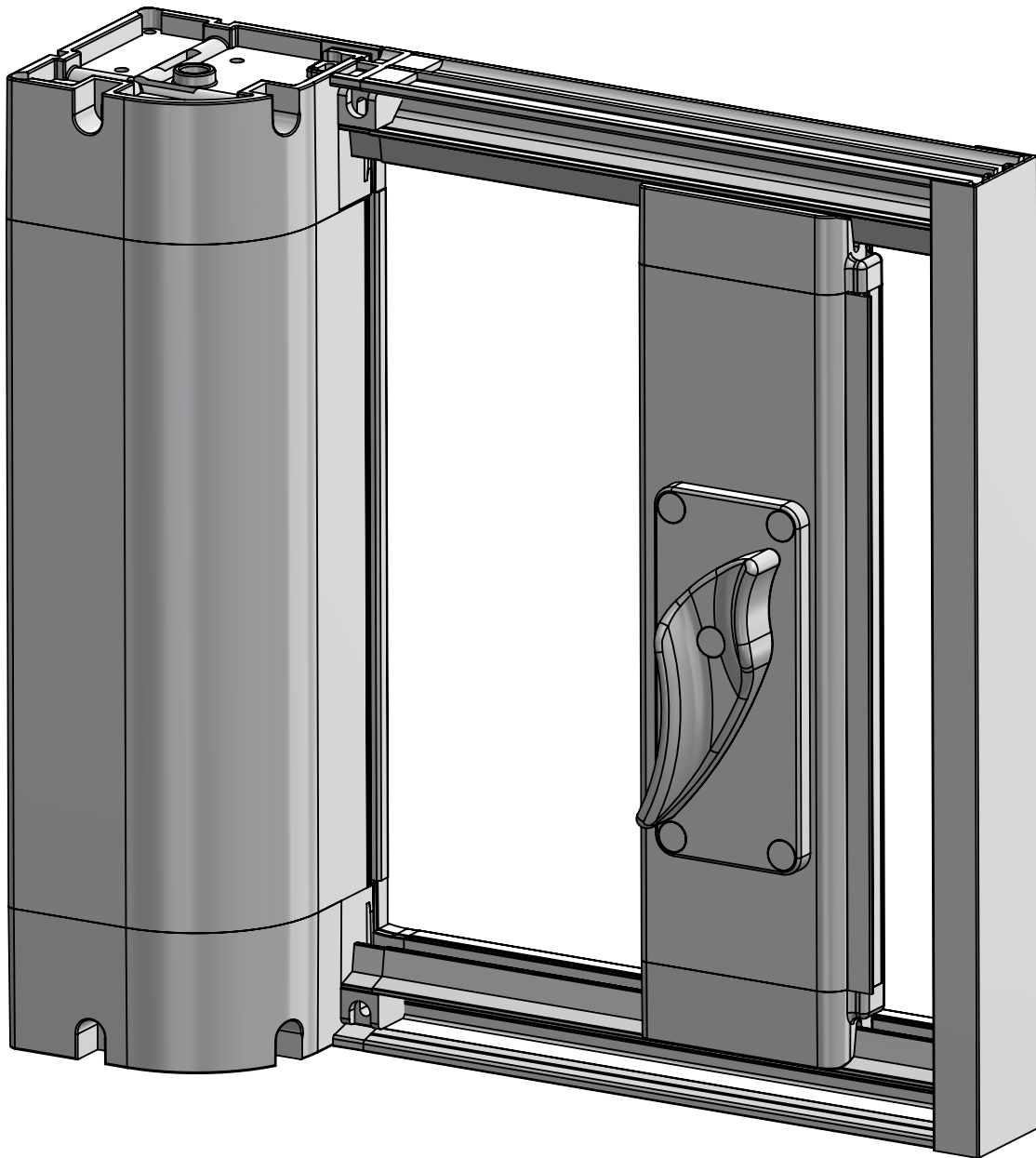
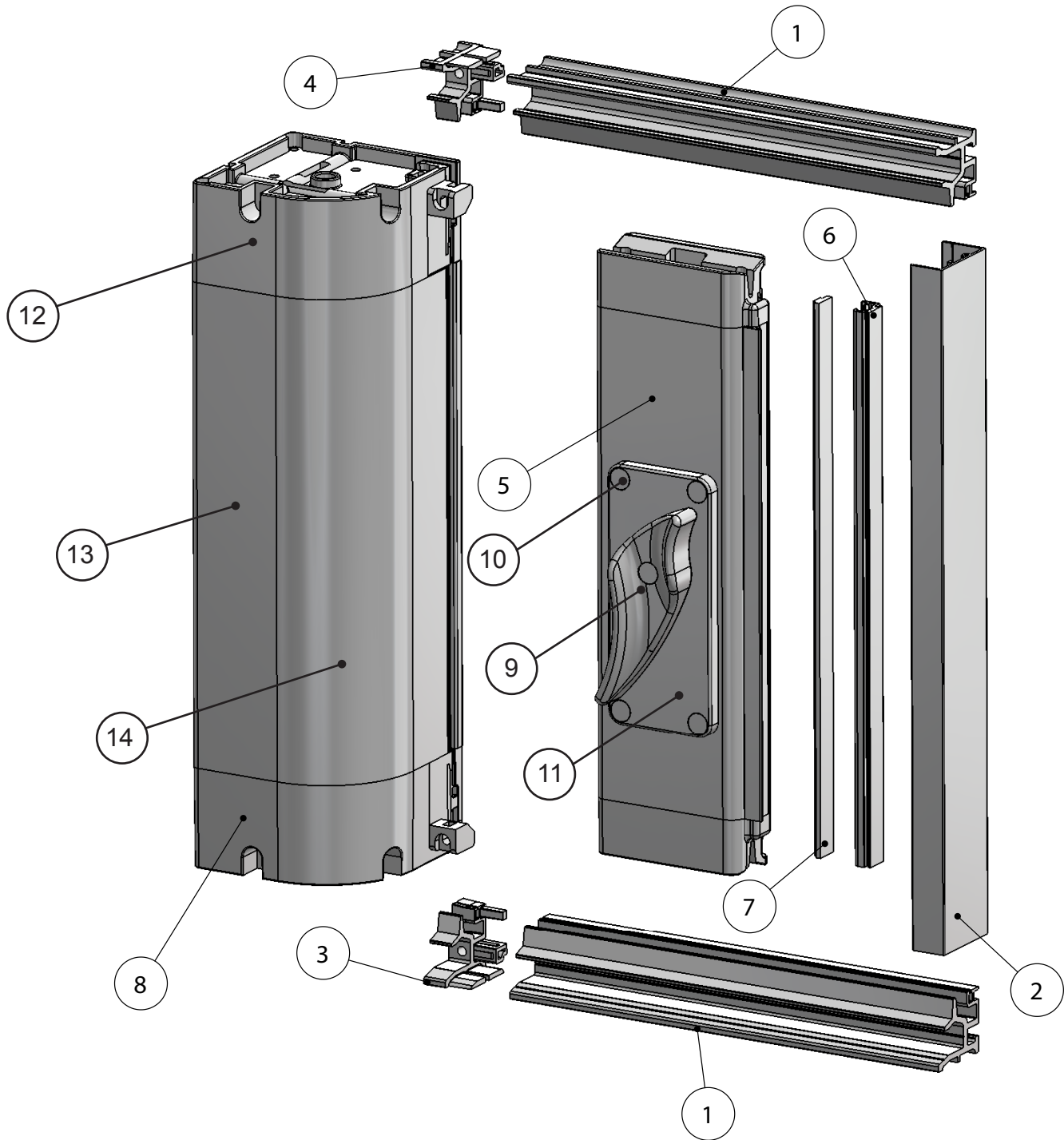


80mm



Left

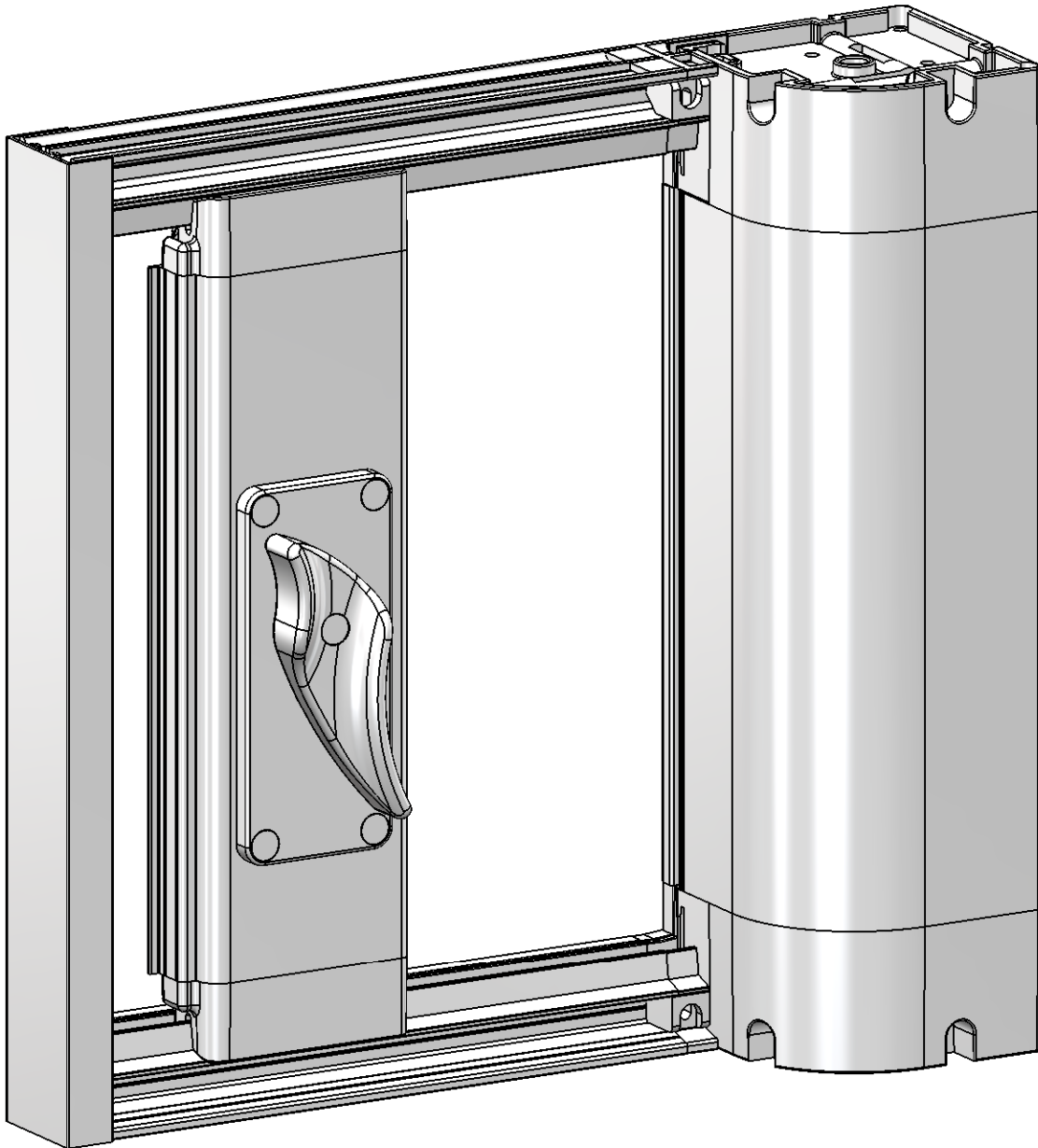


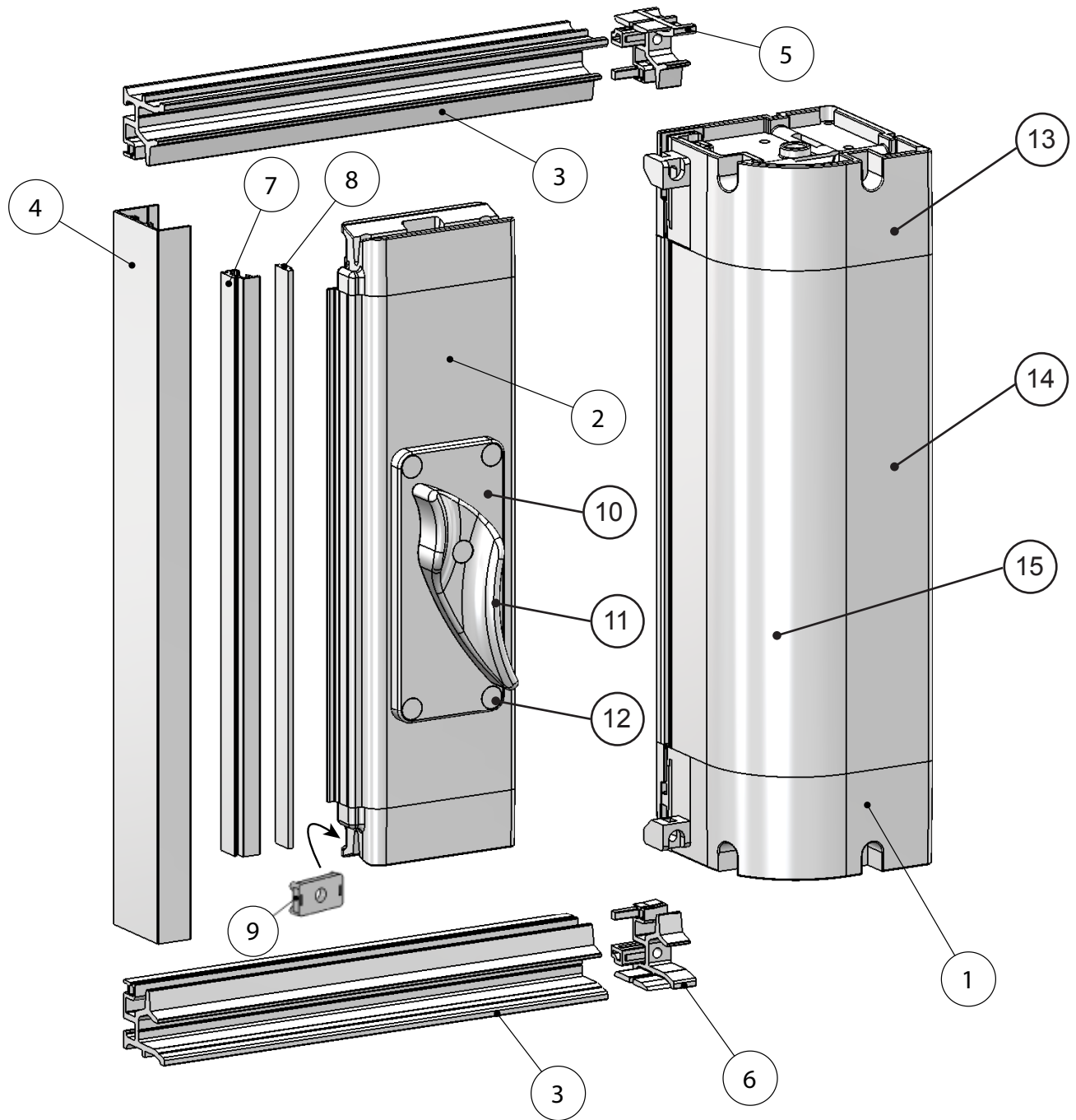


ITEM	PART NUMBER/DESCRIPTION	QTY
1	VTRK - Track	2
2	VRECEIVER - Reciever	1
3	ZLS-TG-A	1
4	ZLS-TG-B	1
5	VPBR- Pull Bar	1
6	VMH-STR-Magnet Holder Straight	1
7	ZLS1-MGNT-Vista Magnet	1
8	ZLS1-EC - 80mm Housing End Cap	1

ITEM	PART NUMBER/DESCRIPTION	QTY
9	ZLS1-HMB-R Handle Female Left	1
10	ZLS1-HP Handle Plug	5
11	ZLS1-H-M Handle Hount	1
12	ZLS1-EC-80B Housing End Cap	1
13	VH-80-BO 80MM Housing Back	1
14	VH-80-F 80MM Housing Front	1

Right

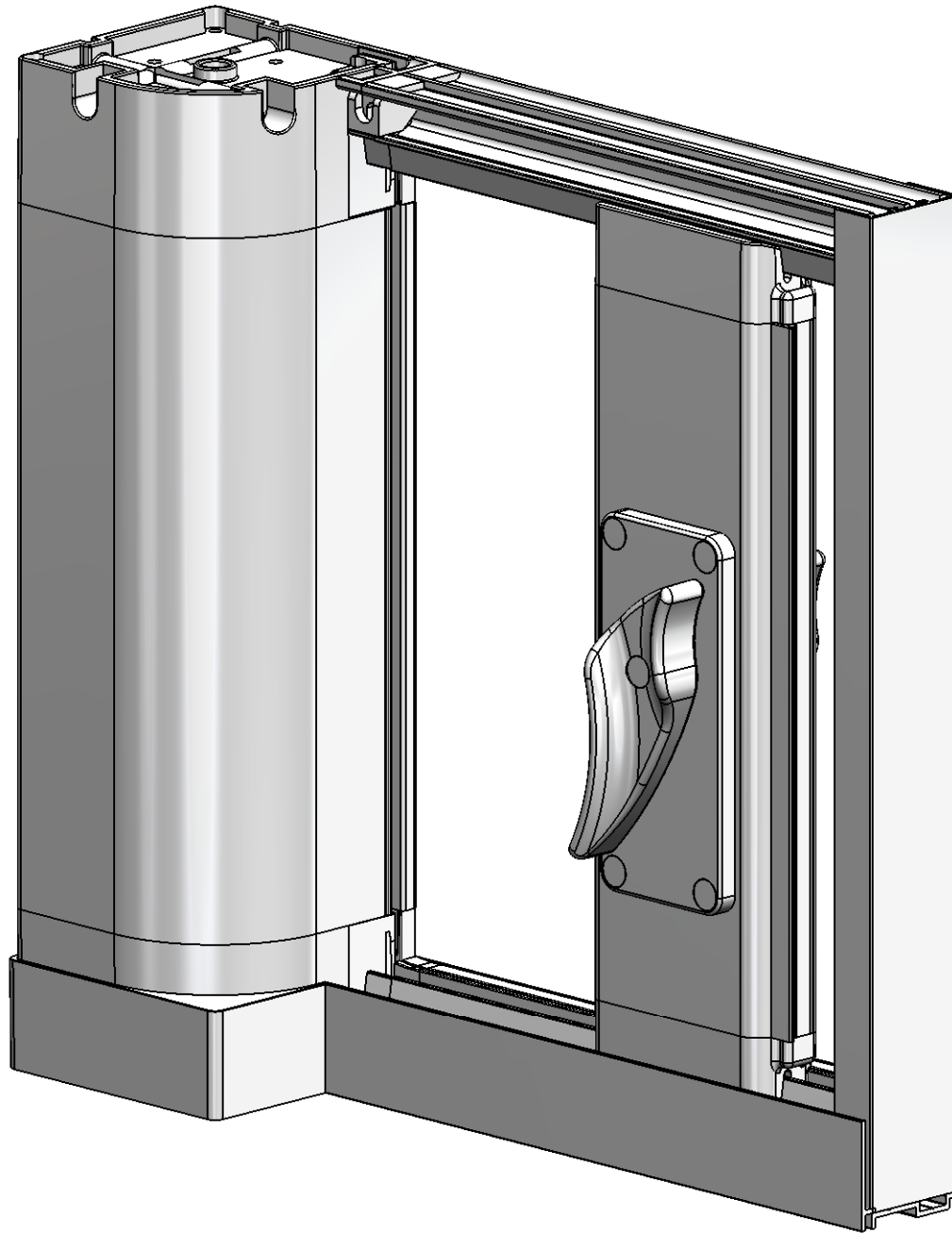


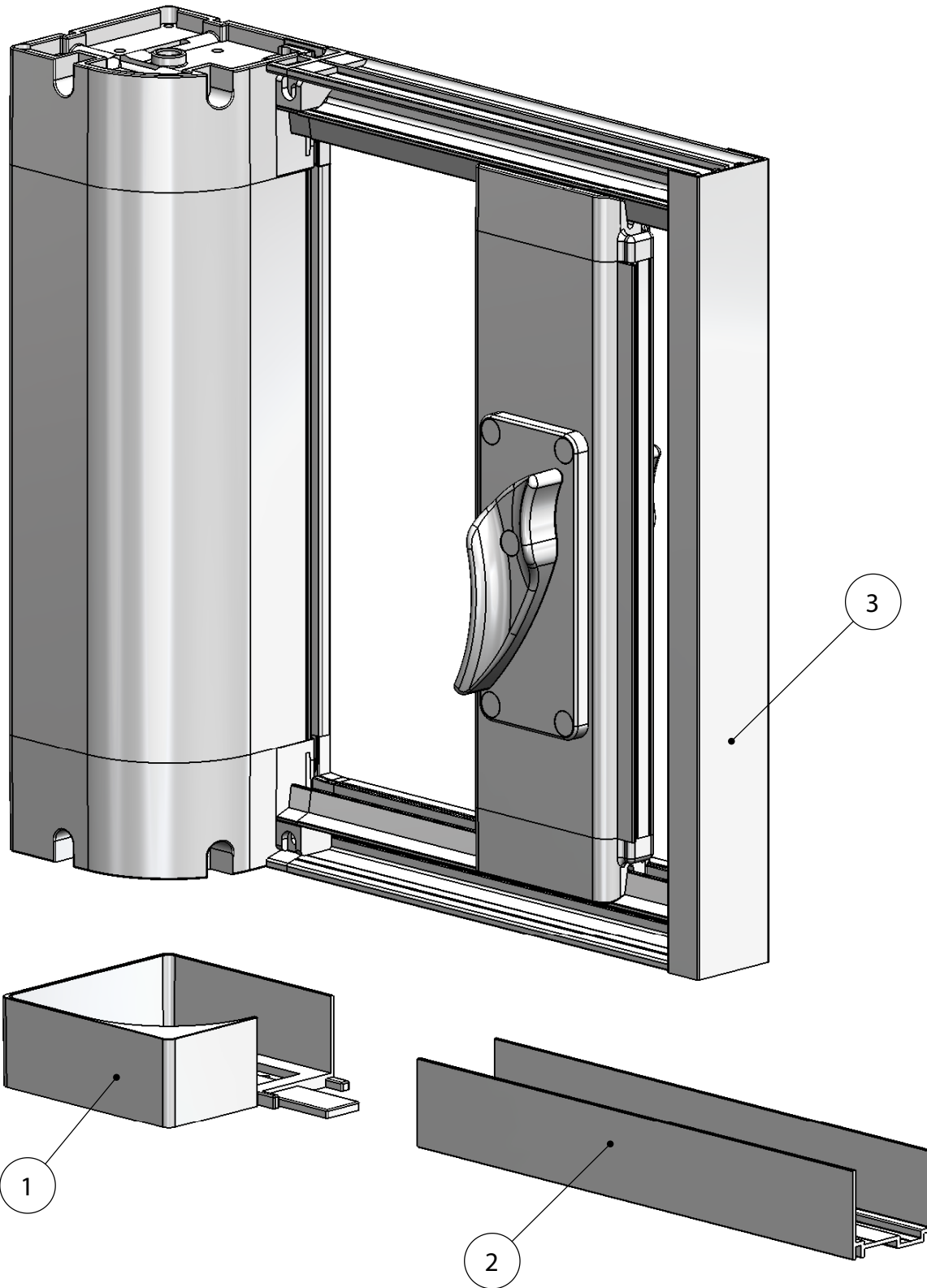


ITEM	PART NUMBER/DESCRIPTION	QTY
1	ZLS1-EC-L 80mm Housing End Cap B	2
2	VPBR - Pull Bar	1
3	VTRK - Track	1
4	VRECEIVER - Reciever	1
5	ZLS1-TG-A Track Guide A	1
6	ZLS1-TG-B Track Guide B	1
7	VMH-STR Magnet Holder Straight	1
8	ZLS1-MGNT Vista Magnet	1

ITEM	PART NUMBER/DESCRIPTION	QTY
9	ZLS1-MR Mesh Retainer	1
10	ZLS1-H-M Handle Mount	1
11	ZLS1-HMA Handle Female Right	1
12	ZLS1-HP	5
13	ZLS1-EC-80A	1
14	VH-80-BO 80MM Housing Back	1
15	VH-80-F 80MM Housing Front	1

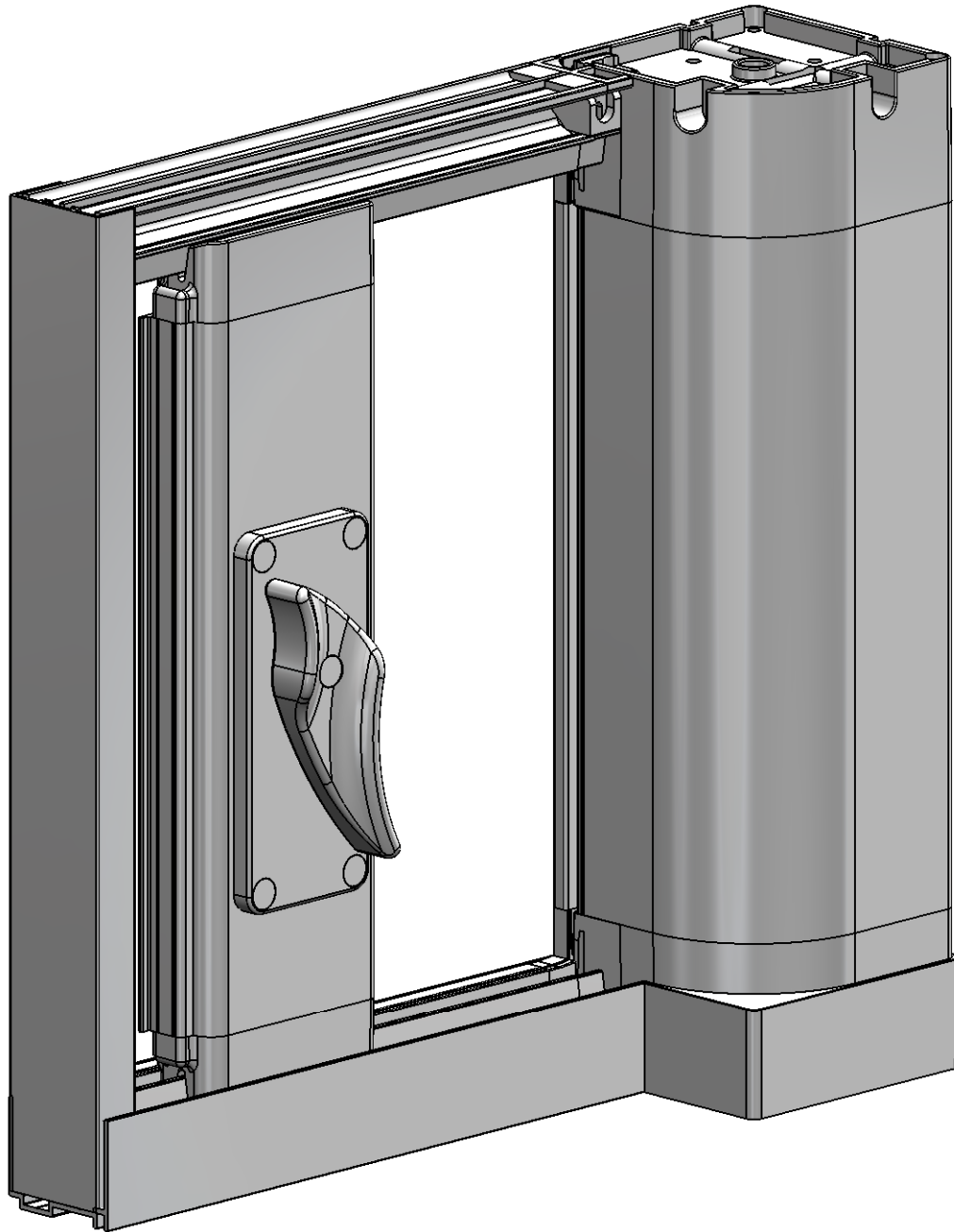
Left Recessed

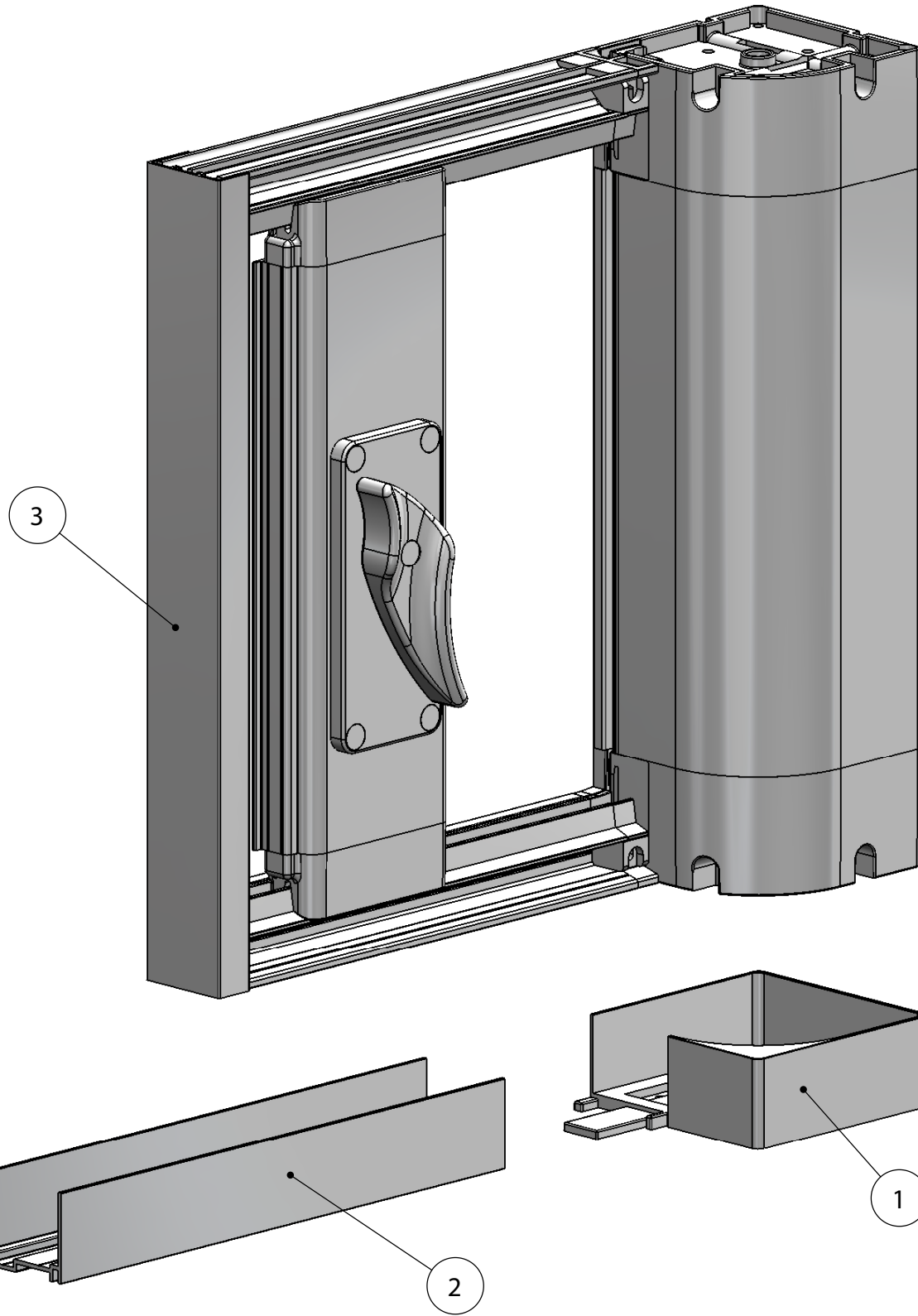




ITEM	PART NUMBER/DESCRIPTION	QTY
1	ZLS1-REC-CUP-80A 80mm Recess Cup Left	1
2	VRECESS-CH Recess Channel	1
3	VReceiver - Receiver Channel	1

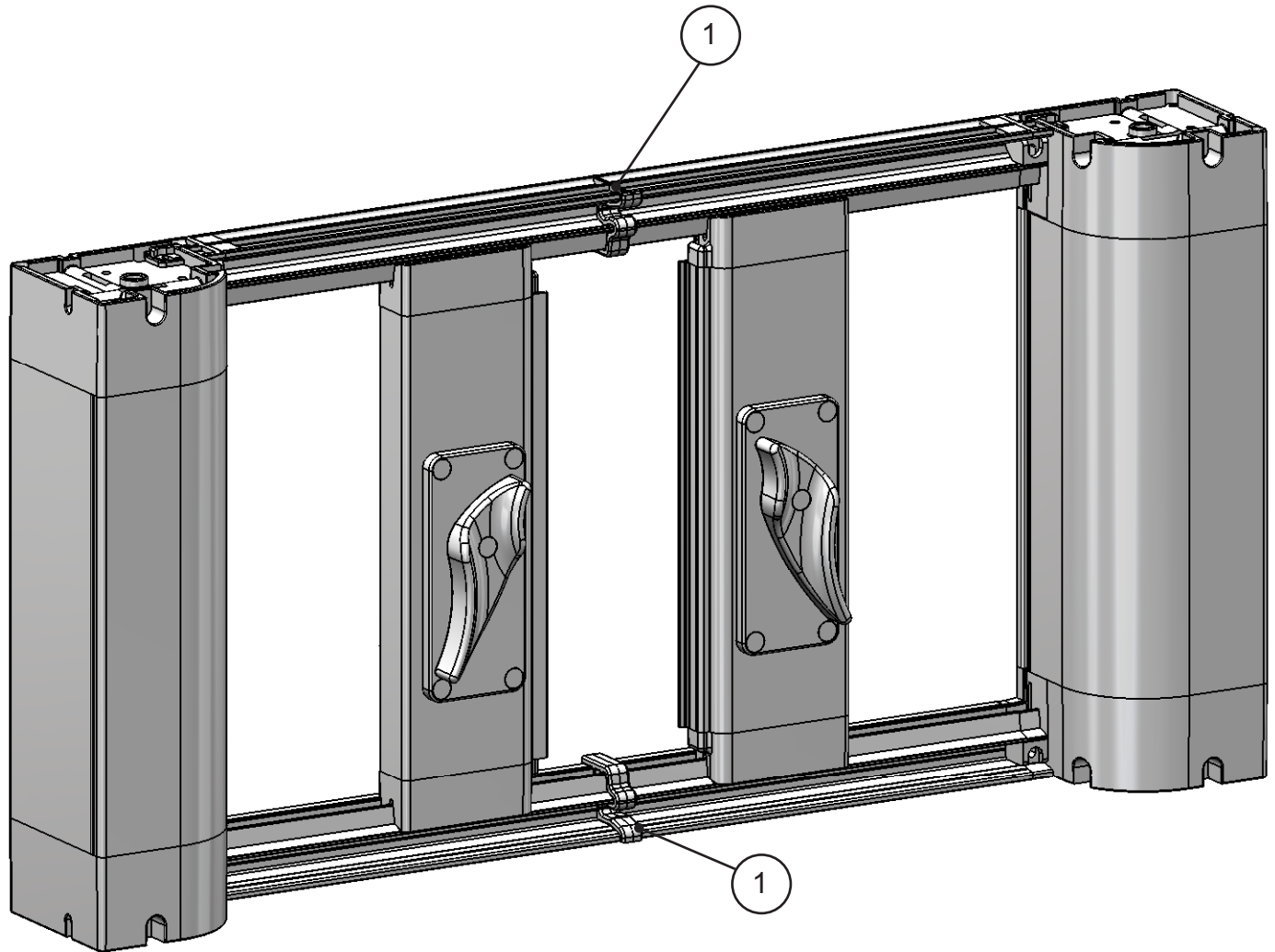
Right Recessed





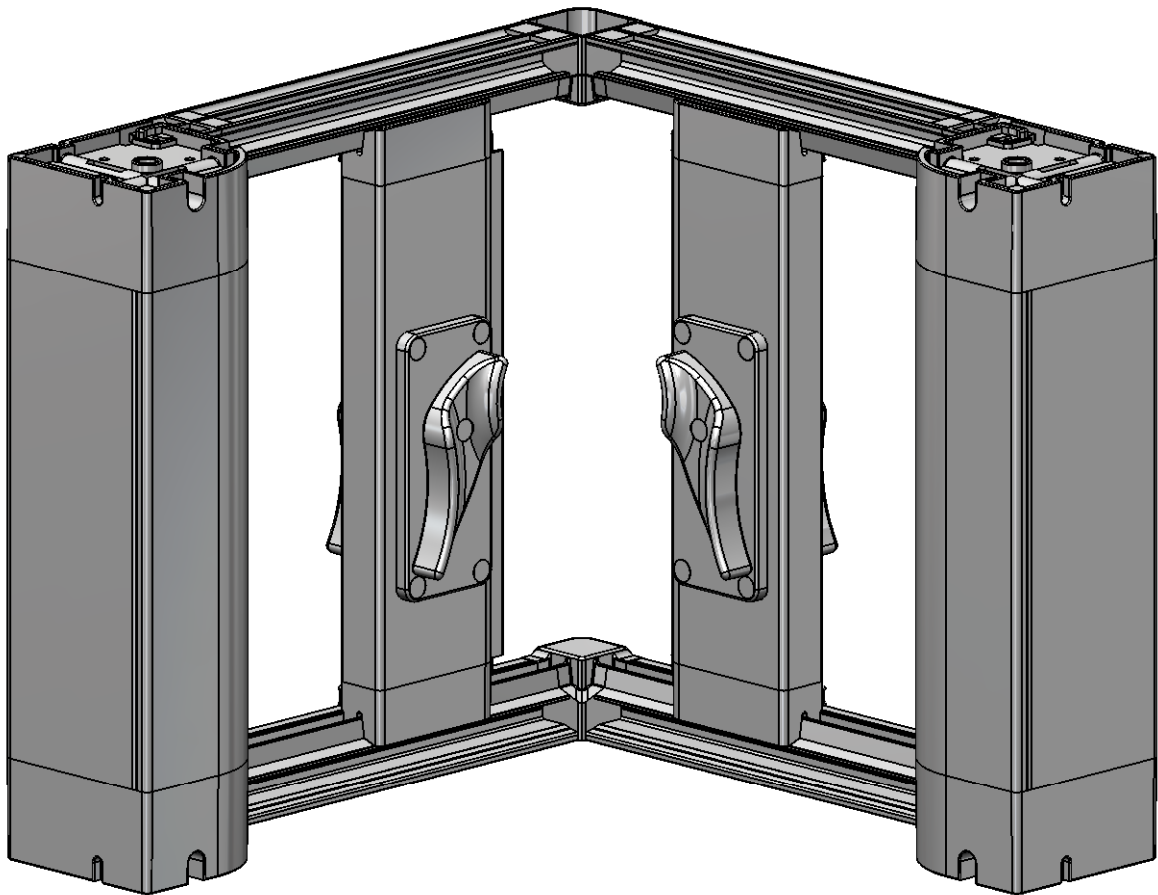
ITEM	PART NUMBER/DESCRIPTION	QTY
1	ZLS1-REC-CUP-80B 80mm Recess Cup Right	1
2	VRECESS-CH Recess Channel	1
3	VReciever - Reciever Channel	1

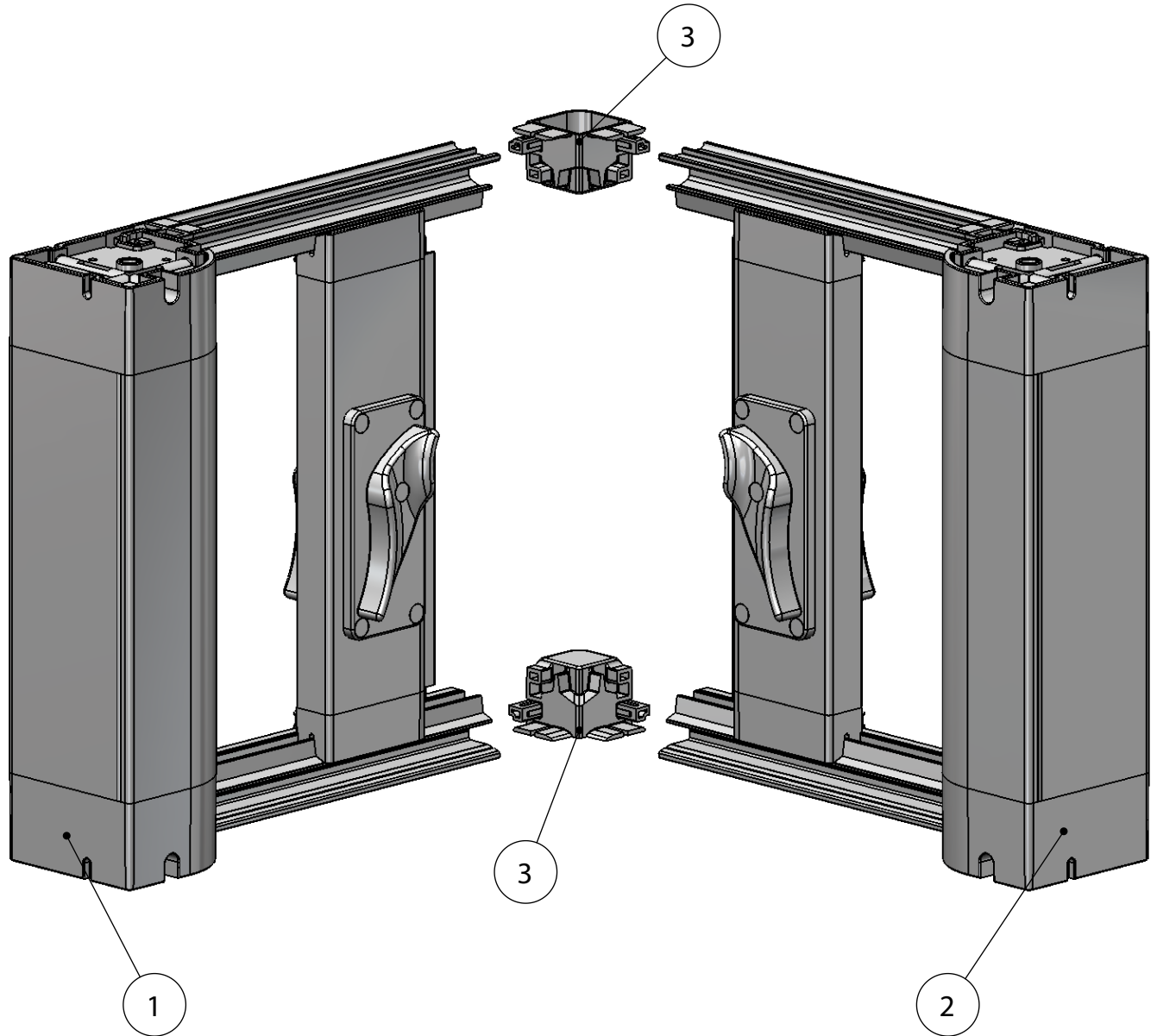
Double Straight



ITEM	PART NUMBER/DESCRIPTION	QTY
1	ZLS1-Joiner-ST Track Joiner Straight	2

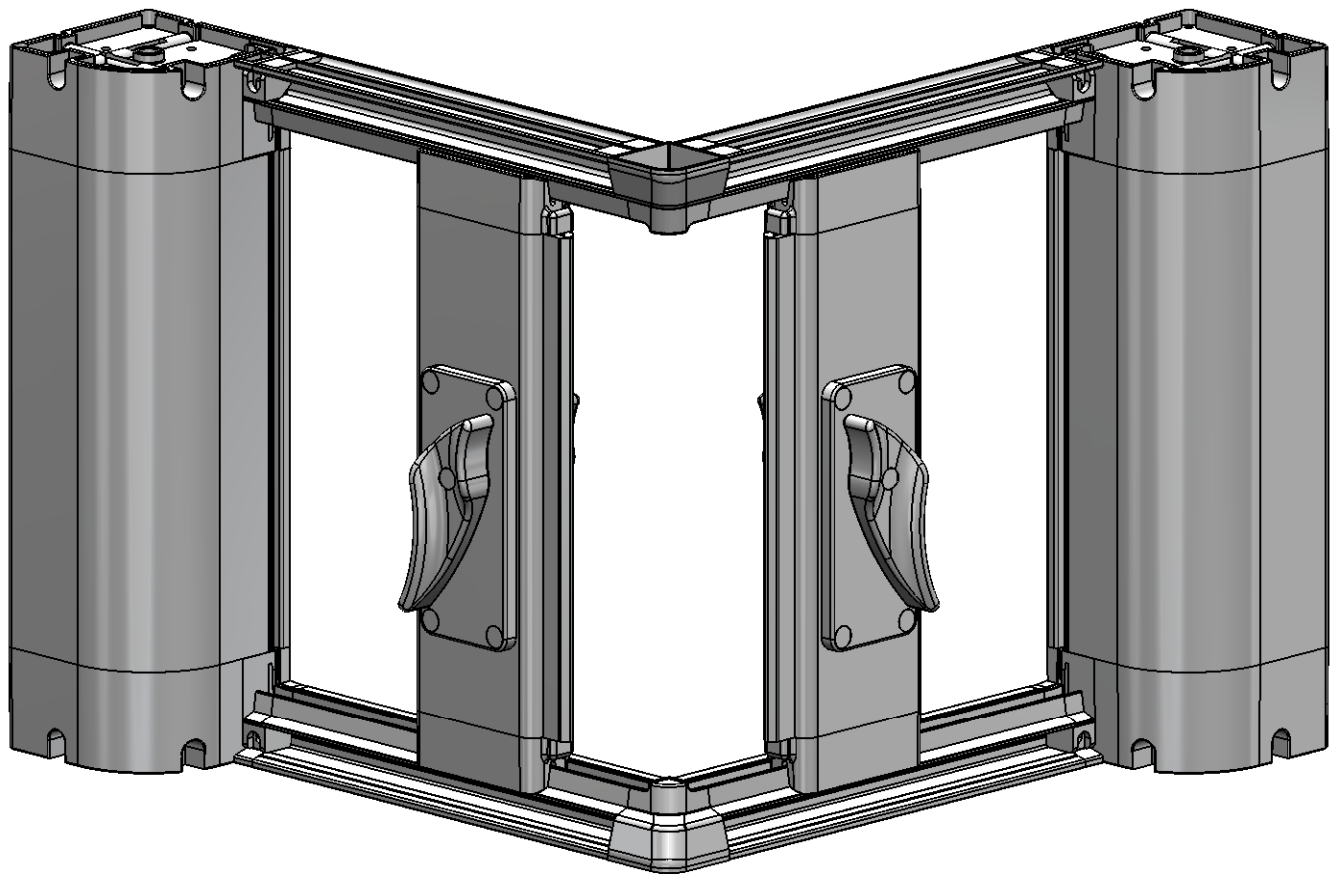
Internal Double Corner

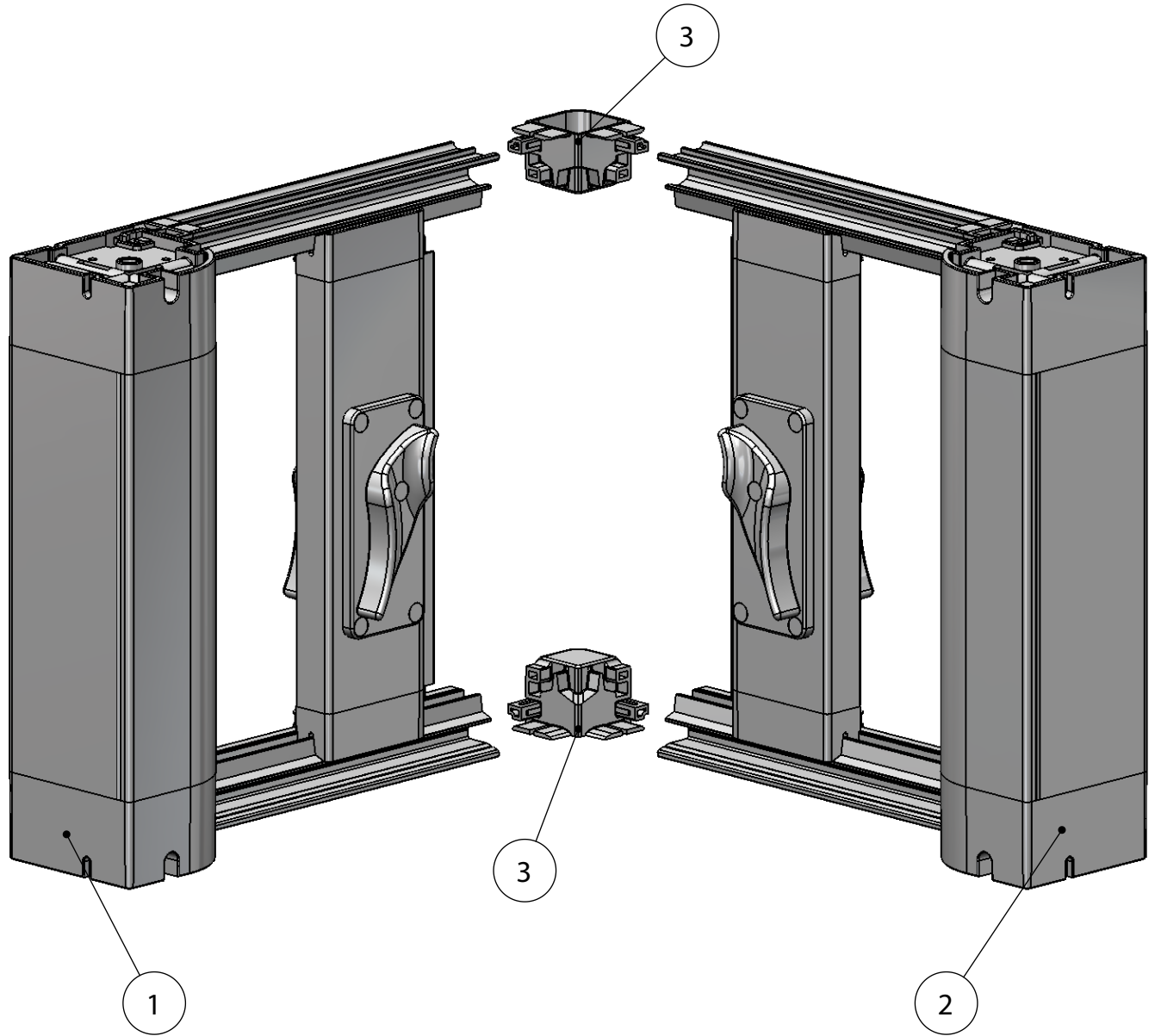




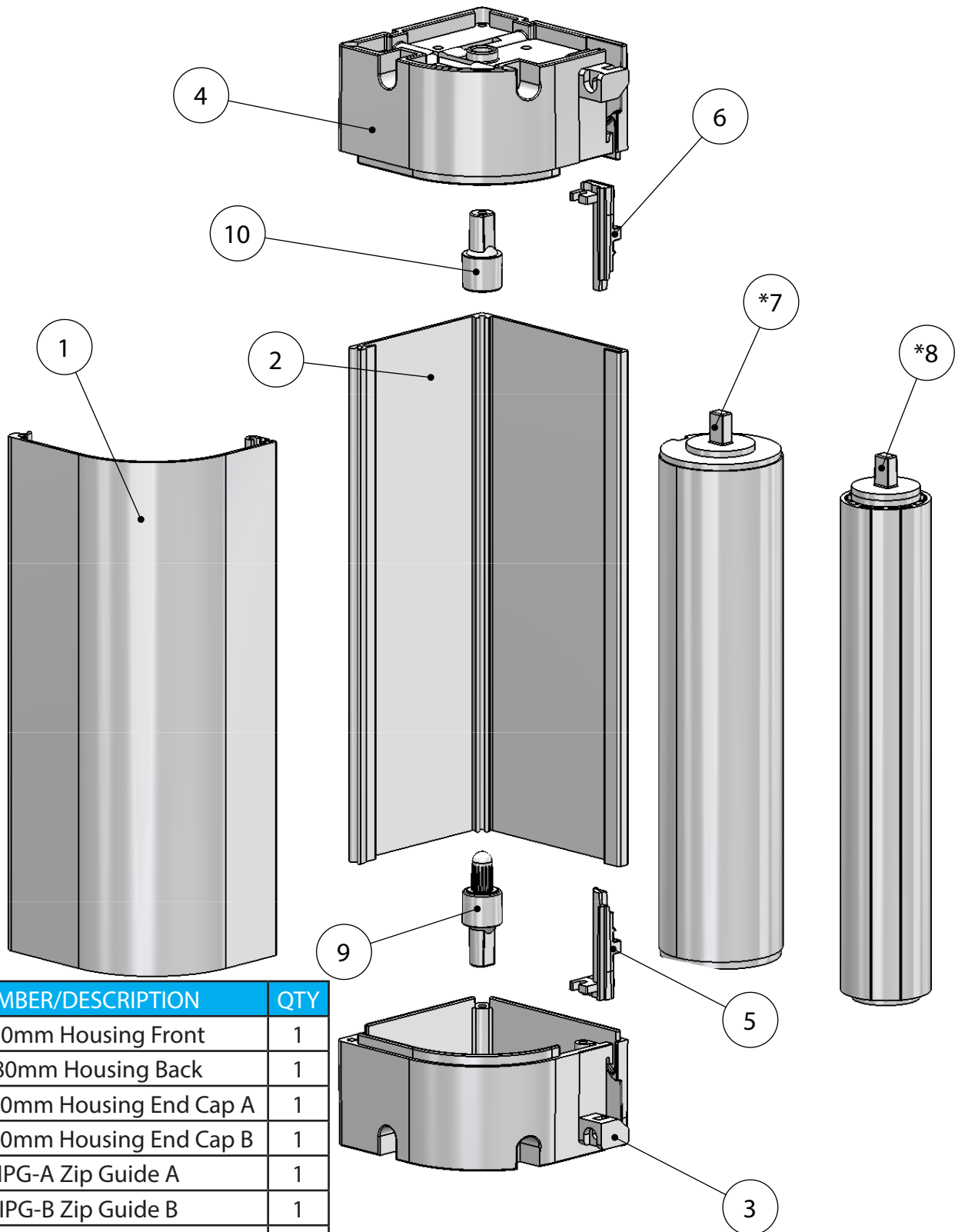
ITEM	PART NUMBER/DESCRIPTION	QTY
1	ZLS1-EC-80A 80mm Housing End Cap A	2
2	ZLS1-EC-80B 80mm Housing End Cap B	2
3	ZLS1-JOINER-B Internal Corner Joiner	

External Double Corner





ITEM	PART NUMBER/DESCRIPTION	QTY
1	ZLS1-EC-80A 80mm Housing End Cap A	2
2	ZLS1-EC-80B 80mm Housing End Cap B	2
3	ZLS1-JOINER-A External Corner Joiner	



	PART NUMBER/DESCRIPTION	QTY
1	VH-80-F 80mm Housing Front	1
2	VH-80-B 80mm Housing Back	1
3	ZLS1-EC-80A 80mm Housing End Cap A	1
4	ZLS1-EC-80B 80mm Housing End Cap B	1
5	ZLS1-ZIPG-A Zip Guide A	1
6	ZLS1-ZIPG-B Zip Guide B	1
7	RADC-SPR-B	1
8	RADC-SPR-B	1
9	RADC-CP RADC Cap Pivot	1
10	RADC-CP RADC Cap Spindle	1
11	VRT-35 Roll Tube	1
12	VRT-28 Roll Tube	1